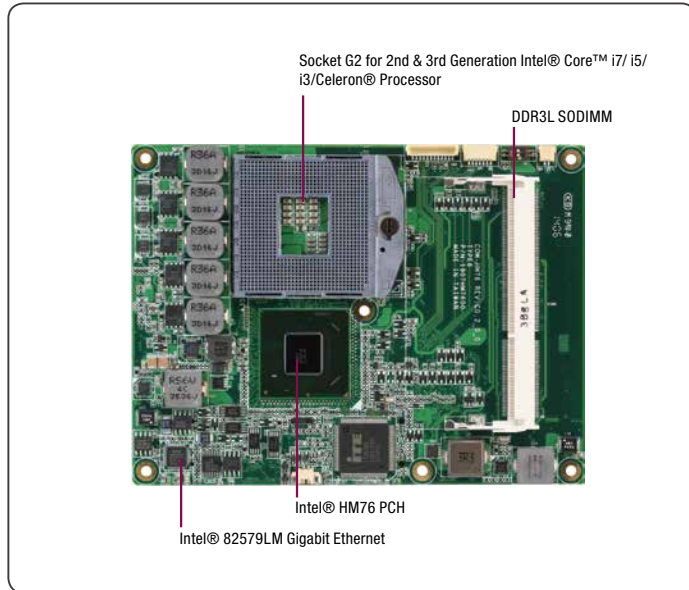


06 COM-HM76

COM Express CPU Type 6 Module, Socket G2 for Intel® 2nd & 3rd Generation Core™ i7/i5/i3/Pentium®/Celeron® Processor, HM76, DDR3L, GbE



Features

- Socket G2 for Intel® 2nd & 3rd Generation Core™ i7/i5/i3/ Pentium®/Celeron® Processor
- Intel® HM76 PCH
- Single Channel SODIMM DDR3L 1333/1600 Memory, Max. 8 GB
- Gigabit Ethernet
- CRT, 18/24-bit Dual-channel LVDS, DDI x 2
- SATA x 4, USB3.0 x 4, USB2.0 x 8
- PCI-Express [x16] x 1, PCI-Express [x1] x 7
- COM Express Basic Size, Pin-out Type 6, COM.0 Rev. 2.1

Specifications

System	
Form Factor	COM Express, Basic Module, Pin-out Type 6
CPU	Socket G2 for Intel® 2nd & 3rd generation Core™ i7/i5/i3/Pentium®/Celeron® processor
CPU Frequency	Up to i7-3610QE, Quad core, 2.3GHz
Chipset	Intel® HM76
Memory Type	Non-ECC DDR3L 1333/1600
Max. Memory Capacity	Single-channel SODIMM DDR3L 1333/1600 Memory, Max. 8 GB
BIOS	AMI BIOS
Wake on LAN	Yes
Watchdog Timer	255 Levels
Power Requirement	Nominal: +12V
Power Supply Type	AT/ ATX
Power Consumption (Typical)	i7-3610QE 2.3GHz, DDR3L 8GB 2.73A@12V, 1.18A@5V, 0.31A@3.3V. 100% loading on ECB-920A
Dimension (L x W)	4.92" x 3.75" (125mm x 95mm)
Operating Temperature	32°F ~ 140°F (0°C ~ 60°C)
Storage Temperature	-40°F ~ 176°F (-40°C ~ 80°C)
Operating Humidity	0% ~ 90% relative humidity, non-condensing
MTBF (Hours)	150,000
Certification	CE/FCC
Display	
VGA/LCD Controller	Intel® Core™ i7/ i5/i3/Celeron® processor integrated
Video Output	CRT, 18/24-bit Dual-channel LVDS, DDI x 2
I/O	
Ethernet	Intel® 82579LM for 10/1000/1000Base-TX
Audio	High Definition Audio Interface
USB Port	USB 2.0 x 8, USB 3.0 x4
Serial Port	Tx/Rx x 2
Parallel Port	—
HDD Interface	SATA x 4
FDD Interface	—
SSD	—
Expansion Slot	PCI-Express [x16] x 1, PCI-Express [1] x 7, LPC bus x 1, SMBus x 1
DIO	GPIO x 8
TPM	—



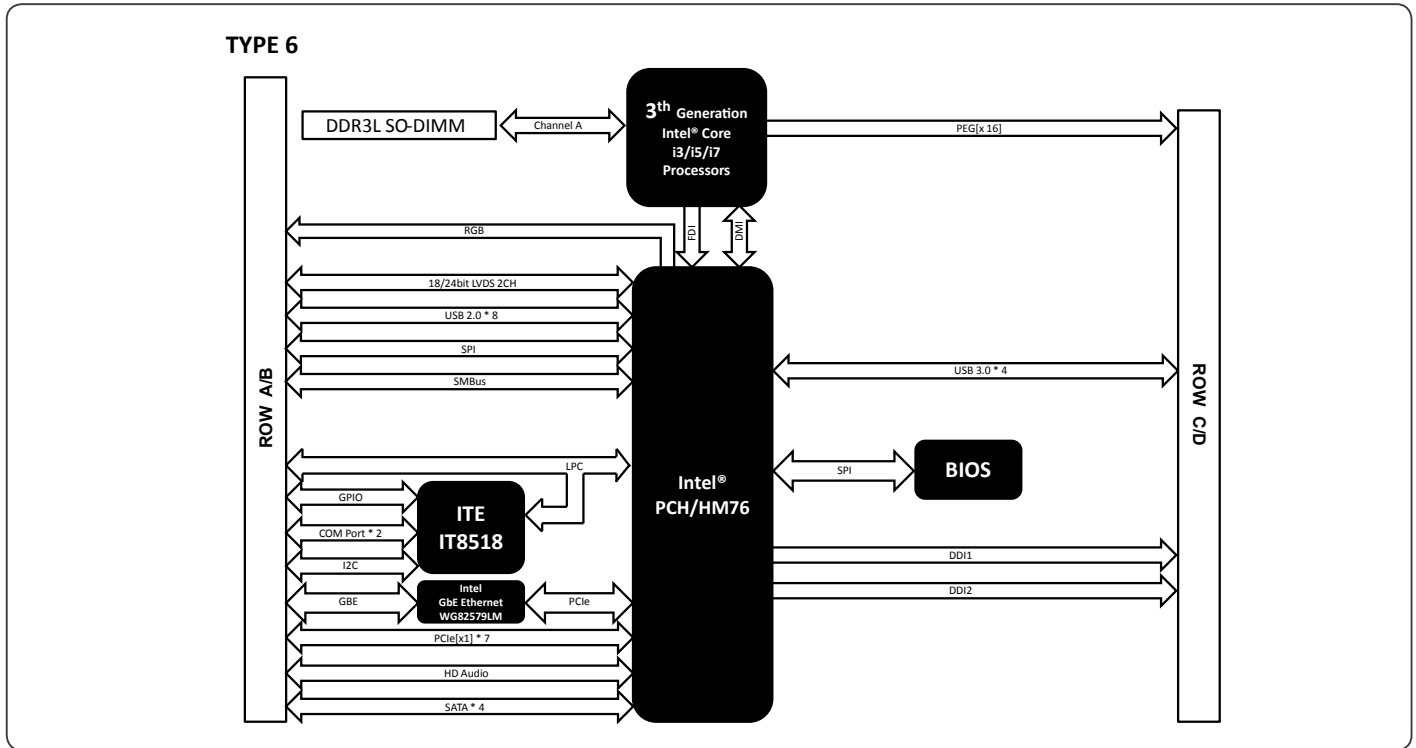
Packing List

- M2.5 Screw x 4
- Product CD
- COM-HM76

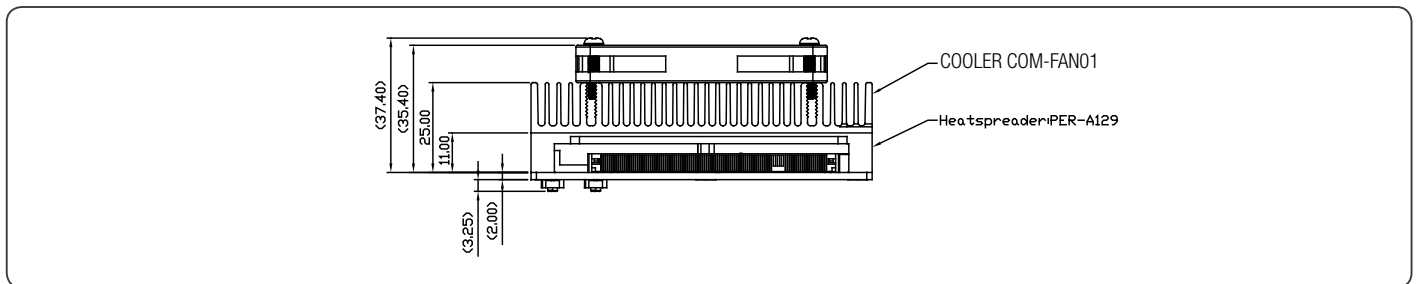
Optional Accessories

- **ECB-920A-A10-0001**
COMe Type 1/6/10 Carrier Board, ATX, GbE, 8USB, 2COM, 4SATA. PCIe, AT/ATX, Legacy Free, Rev. A1.0
- **PER-A129**
Heat Spreader, For COM-HM76, Socket Type
- **COM-FAN01**
CPU Cooler, 125 x 95 x 26.4mm, Sliver, use with HSP

Block Diagram Unit: mm



Dimension Unit: mm



Ordering Information

Part Number	COM Express Type	CPU	Memory	Display	LVDS	Storage	LAN	USB	URAT	Expansion Slot	Power	Temp
COM-HM76-C11	6 (COM.0 Rev. 2.1)	Socket G2 for 2nd & 3rd Generation Intel® Core™ i7/ i5/ i3/Celeron® Processor	DDR3L SODIMM x 1 Max. 8 GB	LVDS, VGA, DDI x 2	18/24b, 2CH	SATA x 4	GbE x 1	USB3.0 x 4 USB2.0 x 8	2 (Tx/Rx)	PCI-E [16] x 1, PCI-E [1] x 7	12V	0°C ~ 60°C